



DIONE cubo
bed with bedside tables



1/8

DIONI CUBO
with storage space

A modified, but certainly interesting take on our very successful design "Dioni", for those who need to use their bed as storage space.

The comfortable headboard remains unchanged, as per the initial design, while the rest of the frame is modified to shut and form the storage space.

This particular suggestion can be the solution for cramped rooms, as the bed measurements are significantly smaller than the original Dioni version. This way you can save space without losing in the style and finesse of the furniture.

Technical sheet

A. I. TZITZIS P.C.
Orfeos 200 & Agapis 5 str
Egaleo - Greece / p.c. 122 41
T: +30 210 3413910 / F: +30 210 3413911
e-mail: info@joinbeds.com / www.joinbeds.com

12/2017

* Patent design 20150600135 1,1

DIONE cubo

bed with bedside tables

TECHNICAL INFORMATION

Headboard (bed)

Fabric cover, removable.

The internal structure is compact framework by chipboard and mdf.

Legs-Crossbeams

Mdf, lined with oak, rustic oak, European ash, walnut natural veneer.

Fabric cover, removable.

Frames-Mattress bases:

JOIN offers two types of frames.

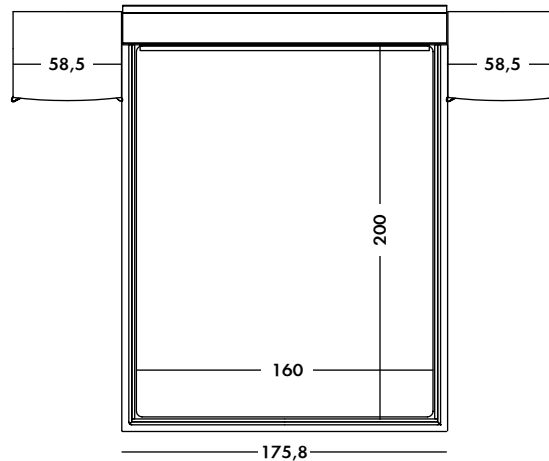
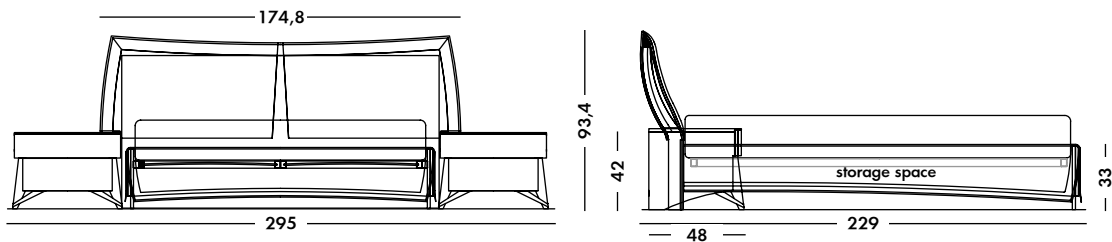
Metal Frame: a frame made by flexible wooden planks, each at 7cm (!) width, at 3cm distance from each other. This frame is suitable for mattresses made with the pocket springs system.

Metal Frame Plus: a frame made by flat (inflexible) wooden planks, each at 9cm (!) width, at 1.5cm distance from each other. This type of frame is suitable for latex mattresses.

All frames are lined with Italian fabric of exceptional quality (Bicoppia) in order to minimise the mattress damage and allow it to "breathe".

The standard bed dimensions are for 1.60x2.00 mattresses.

2/8



EXTERIOR DIMENSIONS			BEDSIDE TABLE		
Width	Length	Height	Width	Length	Height
295 cm (total)	229 cm	93,4 cm	58,5 cm	48 cm	42 cm
174,8 cm (headboard)			50 cm		
175.8 cm (front)			45 cm		

DIONE cubo

bedside table



TECHNICAL INFORMATION

The internal structure is compact framework by chipboard and mdf.

3/8

Wooden surfaces:

Mdf, lined with oak, rustic oak, European ash, walnut natural veneer.

Runner systems:

Hettich Quadro 23 SFG, load capacity up to 25 kg, certified according to ENISO 9001, guarantee of 80,000 open/close cycles.

Metallic solid iron, coloured with electrostatic paint at the leg.

Solid wood, European ash at the leg.

DIONE cubo

tall chest of drawers



TECHNICAL INFORMATION

The internal structure is compact framework by chipboard and mdf.

4/8

Wooden surfaces:

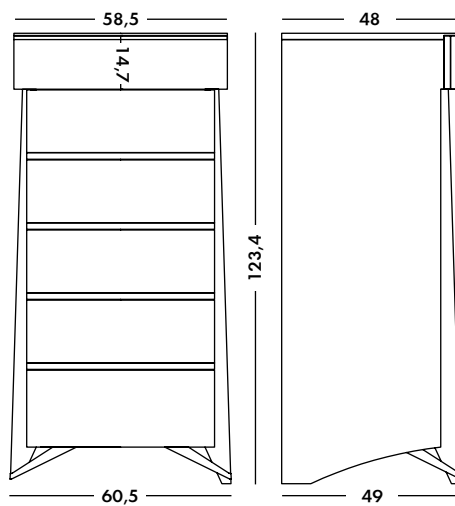
Mdf, lined with oak, rustic oak, European ash, walnut natural veneer.

Runner systems:

Hettich Quadro 23 SFG, load capacity up to 25 kg, certified according to ENISO 9001, guarantee of 80,000 open/close cycles.

Metallic solid iron, coloured with electrostatic paint at the leg.

Solid wood, European ash at the leg.



DIONE cubo

whole body mirror with storage box



TECHNICAL INFORMATION

The internal structure is compact framework by chipboard and mdf.

5/8

Wooden surfaces:

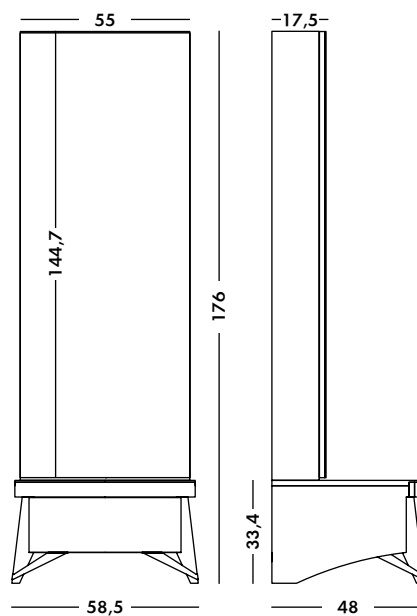
Mdf, lined with oak, rustic oak, European ash, walnut natural veneer.

Runner systems:

Hettich Quadro 23 SFG, load capacity up to 25 kg, certified according to ENISO 9001, guarantee of 80,000 open/close cycles. Hettich cabinet hinges.

Metallic solid iron, coloured with electrostatic paint at the leg.

Solid wood, European ash at the leg.



DIONE cubo

chest of drawers with mirror



TECHNICAL INFORMATION

The internal structure is compact framework by chipboard and mdf.

6/8

Wooden surfaces:

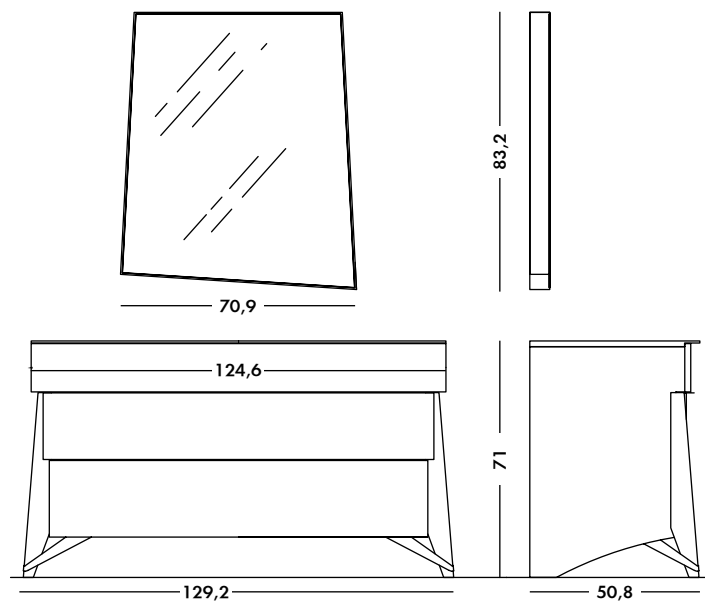
Mdf, lined with oak, rustic oak, European ash, walnut natural veneer.

Runner systems:

Hettich Quadro 23 SFG, load capacity up to 25 kg, certified according to ENISO 9001, guarantee of 80,000 open/close cycles.

Metallic solid iron, coloured with electrostatic paint at the leg.

Solid wood, European ash at the leg.



DIONE cubo

whole body wall mirror



TECHNICAL INFORMATION

The internal structure is compact framework by chipboard and mdf.

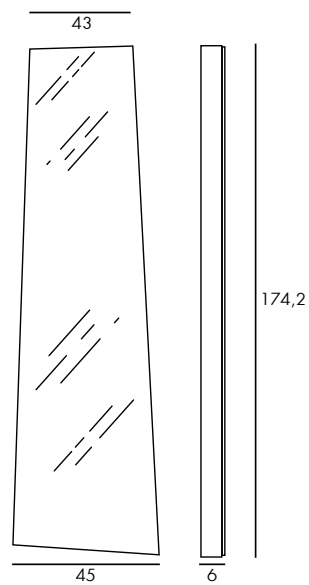
7/8

Wooden surfaces:

Mdf, lined with oak, rustic oak, European ash, walnut natural veneer.

Dimensions are in cm.

The varnishes applied are Milesi wood coating, environmentally friendly, with ISO14001 certification.



DIONE cubo__

COLORS

Woods



Olive



Olive rose



Olive dark



Olive more dark



Walnuts naturale

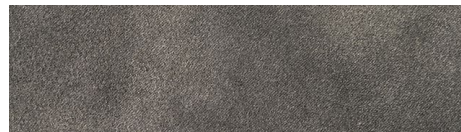


Walnuts cigar

Fabrics



Rich 31



Apache 1 fileto

8/8

Metals



Black Grey 7021



Graphite Grey 7024

- The led type lighting units used at the optional equipment are produced by the German company Halemeier.
- The furniture mechanisms are produced by the German company Hettich.
- The varnishes applied are Milesi wood coating, environmentally friendly, with ISO14001 certification.

12/2017
* Patent design 20150600135 1,1

Technical sheet
A. I. TZITZIS P.C.
Orfeos 200 & Agapis 5 str
Egaleo - Greece / p.c. 122 41
T: +30 210 3413910 / F: +30 210 3413911
e-mail: info@joinbeds.com / www.joinbeds.com

