

# DANAE

---

## Technical Sheet



## DANAE

A bed, like a small piece of art.

Made of solid, olive wood slats - on the headboard and on the foot base -, carefully placed by hand, one by one, in such a way as to form a distinctive curl on the headboard.

The LED dimmer system, included in the optional equipment, enhance further its design and create a particularly relaxing atmosphere.



# DANAE

bed with bedside tables

## Headboard (bed)

Paneling with slats of solid ash tree wood.  
The internal structure is compact framework by chipboard and mdf.

## Legs-Crossbeams

Paneling with slats of solid ash tree wood.  
Mdf, lined with oak, rustic oak, European ash, walnut natural veneer.

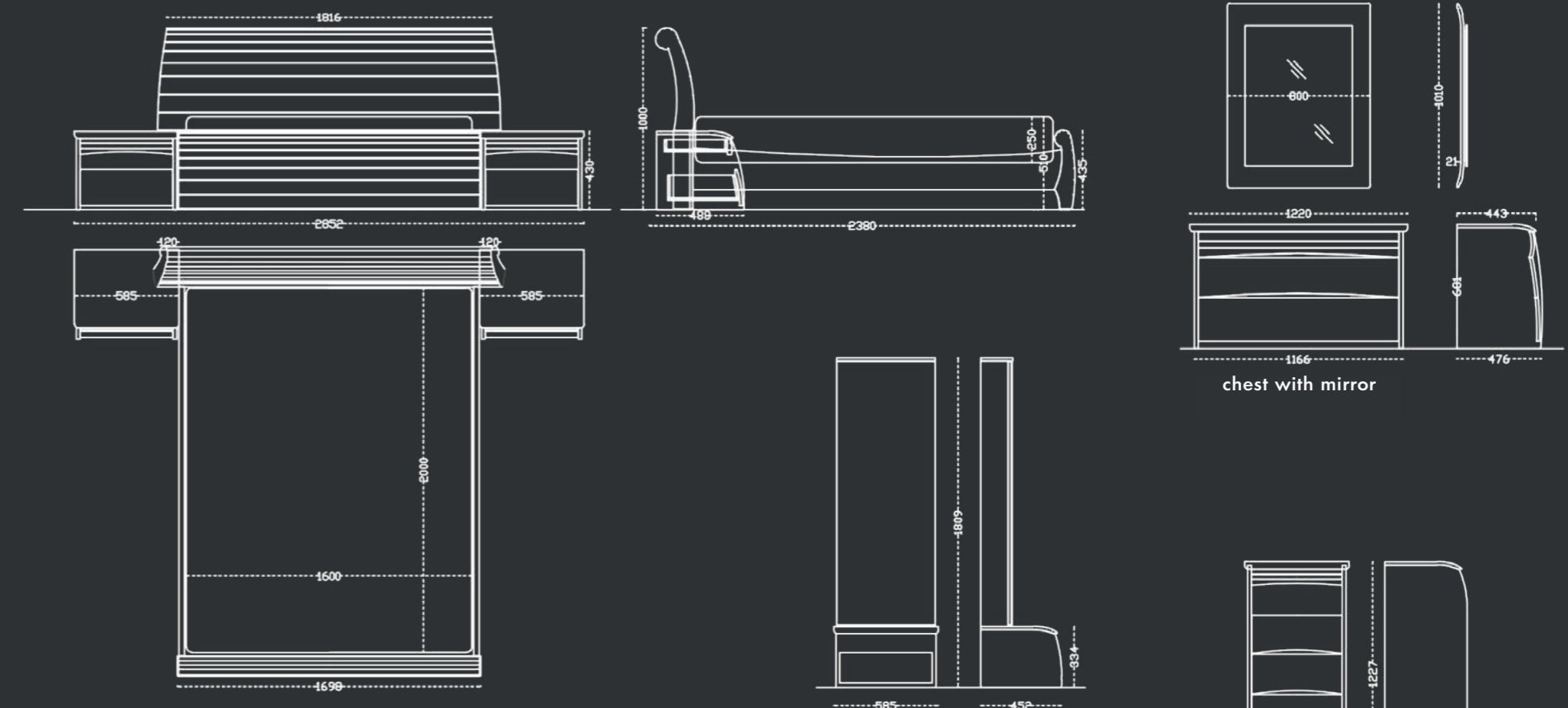
## Frames-Mattress bases

JOIN offers two types of frames:

**Join Metal Frame:** a frame made by flexible wooden planks, each at 7cm (!) width, at 3cm distance from each other. This frame is suitable for mattresses made with the pocket springs system

**Join Metal Frame Plus:** It is made of rigid wooden boards from eucalyptus, covered with a sheet of natural cork, 185mm wide (to protect the fabric and to stop the mattress from sliding), with 15mm gaps in between for ventilation, covering 89% of the bed frame's free surface.

The product is patented: Patent No1008041 and design patent: Certif. Design No: 6003514.



EXTERIOR DIMENSIONS			BEDSIDE TABLE		
Width	Length	Height	Width	Length	Height
285,2cm ( total)	238cm	100cm	58,5cm	48,8cm	43cm
181,6cm ( headboard)			50cm		
169,8cm ( front)			45cm		

# DANAE

bedside table

## TECHNICAL INFORMATION

The internal structure is compact framework by chipboard and mdf.

### Wooden surfaces:

Solid ash tree wood veneered with natural ash tree MDF.

### Runner systems:

Hettich Quadro 23 SFG, load capacity up to 25 kg, certified according to ENISO 9001, guarantee of 80,000 open/close cycles.



# DANAE

chest of drawers with mirror

## TECHNICAL INFORMATION

The internal structure is compact framework by chipboard and mdf.

### Wooden surfaces:

Solid ash tree wood veneered with natural ash tree MDF.

### Runner systems:

Hettich Quadro 23 SFG, load capacity up to 25 kg, certified according to ENISO 9001, guarantee of 80,000 open/close cycles.

The led type lighting units used at the optional equipment are produced by the German company Halemeier.

The furniture mechanisms are produced by the German company Hettich.

The varnishes applied are Milesi wood coating, environmentally friendly, with ISO14001 certification.

12/2017

\* Patent design 20 17590318 1,2

## **JOIN S.A.**

A.: Orfeos 200, Egaleo

T.: 210 3413910

F.: 210 3413911

E.: [info@join.gr](mailto:info@join.gr)

W.: [www.join.gr](http://www.join.gr)

